

# Operation & Maintenance Manual

HYDLULIC  
EXCAVATOR

**PC200-7**  
**PC220-7**

**PC200LC-7**  
**PC220LC-7**

SERIAL NUMBERS

PC200- 250001

PC220- 65001

and up

**⚠ WARNING**

Unsafe use of this machine may cause serious injury or death. Operators and maintenance personnel must read this manual before operating or maintaining this machine. This manual should be kept near the machine for reference and periodically reviewed by all personnel who will come into contact with it.

**NOTICE**

Komatsu has Operation & Maintenance Manuals written in some other languages. If a foreign language manual is necessary, contact your local distributor for availability.

**KOMATSU**

# FOREWORD

## **CALIFORNIA**

### **Proposition 65 Warning**

Diesel engine exhaust and some of its constituents are known to the State of California to cause cancer, birth defects, and other reproductive harm.

## **CALIFORNIA**

### **Proposition 65 Warning**

Battery posts, terminals and related accessories contain lead and lead compounds, chemicals known to the State of California to cause cancer and birth defects or other reproductive harm.

**Wash hands after handling.**

# FOREWORD

This manual provides rules and guidelines which will help you use this machine safely and effectively. The precautions in this manual must be followed at all times when performing operation and maintenance. Most accidents are caused by the failure to follow fundamental safety rules for the operation and maintenance of machines. Accidents can be prevented by knowing beforehand conditions that may cause hazard when performing operation and maintenance.

## WARNING

**Operators and maintenance personnel must always do as follows before beginning operation or maintenance.**

- **Always be sure to read and understand this manual thoroughly before performing operation and maintenance.**
- **Read the safety messages given in this manual and the safety labels affixed to the machine thoroughly and be sure that you understand them fully.**

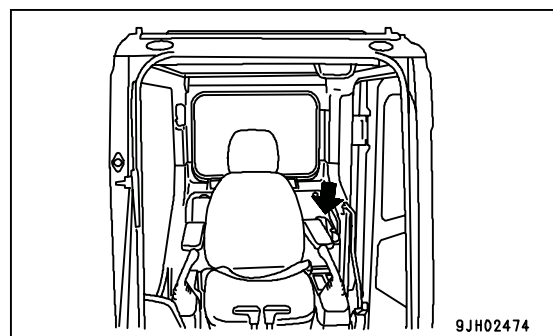
**Keep this manual at the storage location for the Operation and Maintenance Manual given below, and have all personnel read it periodically.**

**If this manual has been lost or has become dirty and cannot be read, request a replacement manual immediately from Komatsu or your Komatsu distributor.**

**If you sell the machine, be sure to give this manual to the new owners together with the machine.**

**Komatsu delivers machines that comply with all applicable regulations and standards of the country to which it has been shipped. If this machine has been purchased in another country or purchased from someone in another country, it may lack certain safety devices and specifications that are necessary for use in your country. If there is any question about whether your product complies with the applicable standards and regulations of your country, consult Komatsu or your Komatsu distributor before operating the machine.**

Storage location for the Operation and Maintenance Manual:  
magazine box on the left side of the operator's seat.



9JH02474








# SAFETY INFORMATION

To enable you to use this machine safely, safety precautions and labels are given in this manual and affixed to the machine to give explanations of situations involving potential hazards and of the methods of avoiding such situations.

## Signal words

The following signal words are used to inform you that there is a potential hazardous situation that may lead to personal injury or damage.

In this manual and on machine labels, the following signal words are used to express the potential level of hazard.

- |  |  |
|--|--|
|  <b>DANGER</b>  | Indicates an imminently hazardous situation which, if not avoided, will result in death or serious injury. This signal word is to be limited to most extreme situations. |
|  <b>WARNING</b> | Indicates a potentially hazardous situation which, if not avoided, could result in death or serious injury.  |
|  <b>CAUTION</b> | Indicates a potentially hazardous situation which, if not avoided, may result in minor or moderate injury. It may also be used to alert against unsafe practices.        |

## Example of safety message using signal word

 **WARNING**  
To avoid hitting unlocked operation levers, lower equipment to ground and move LOCK LEVER (located near seat) to LOCK position before starting up from operator's seat.  
Sudden and unwanted machine movement can cause serious injury or death.

## Other signal words

In addition to the above, the following signal words are used to indicate precautions that should be followed to protect the machine or to give information that is useful to know.

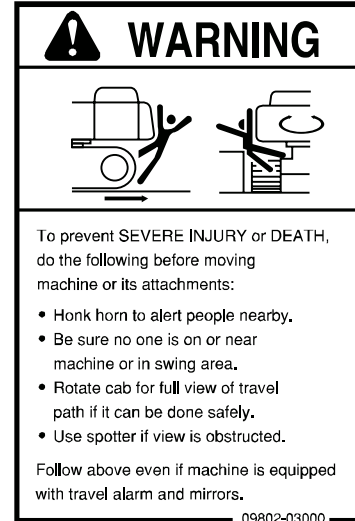
- |               |  |
|---------------|--|
| <b>NOTICE</b> | This word is used for precautions that must be taken to avoid actions which could shorten the life of the machine. |
| <b>REMARK</b> | This gives information that is useful to know.   |

### Safety labels

Safety labels are affixed to the machine to inform the operator or maintenance worker on the spot when carrying out operation or maintenance of the machine that may involve hazard.

This machine uses "Safety labels using words" and "Safety labels using pictograms" to indicate safety procedures.

### Example of safety label using words



Part No.

### Safety labels using pictogram

Safety pictograms use a picture to express a level of hazardous condition equivalent to the signal word. These safety pictograms use pictures in order to let the operator or maintenance worker understand the level and type of hazardous condition at all times. Safety pictograms show the type of hazardous condition at the top or left side, and the method of avoiding the hazardous condition at the bottom or right side. In addition, the type of hazardous condition is displayed inside a triangle and the method of avoiding the hazardous condition is shown inside a circle.



Part No.

Komatsu cannot predict every circumstance that might involve a potential hazard in operation and maintenance. Therefore, the safety messages in this manual and on the machine may not include all possible safety precautions. If any procedures or actions not specifically recommended or allowed in this manual are used, it is your responsibility to take the necessary steps to ensure safety.

In no event should you engage in prohibited uses or actions described in this manual.

The explanations, values, and illustrations in this manual were prepared based on the latest information available at that time. Continuing improvements in the design of this machine can lead to changes in detail which may not be reflected in this manual. Consult Komatsu or your Komatsu distributor for the latest available information of your machine or for questions regarding information in this manual.

The numbers in circles in the illustrations correspond to the numbers in ( ) in the text. (For example: ① → (1))

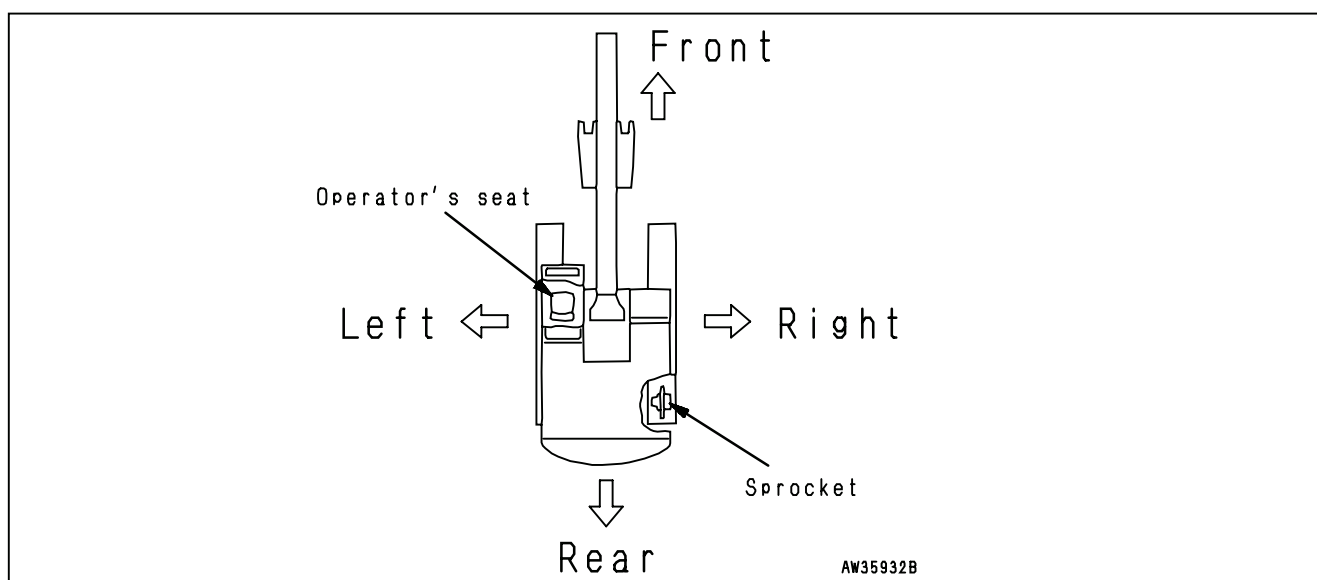
# INTRODUCTION

This Komatsu HYDRAULIC EXCAVATOR is designed to be used mainly for the following works:

- Digging work
- Leveling work
- Ditching work
- Loading work
- Demolition work

See the section "RECOMMENDED APPLICATIONS (PAGE 3-97)" for further details.

## DIRECTIONS OF MACHINE



In this manual, the terms front, rear, left, and right refer to the travel direction as seen from the operator's cab when the operator's cab is facing the front and the sprocket is at the rear of the machine.

## BREAKING-IN THE NEW MACHINE

### NOTICE

**Your Komatsu machine has been thoroughly adjusted and tested before shipment from the factory. However, operating the machine under full load before breaking the machine in can adversely affect the performance and shorten the machine life.**

**Be sure to break in the machine for the initial 100 hours (as indicated on the service meter).**

Make sure that you fully understand the content of this manual, and pay careful attention to the following points when breaking in the machine.

- Run the engine at idling for 15 seconds after starting it. During this time, do not operate the control levers or fuel control dial.
- Idle the engine for 5 minutes after starting it up.
- Avoid operation with heavy loads or at high speeds.
- Immediately after starting the engine, avoid sudden starts, sudden acceleration, unnecessary sudden stops, and sudden changes in direction.



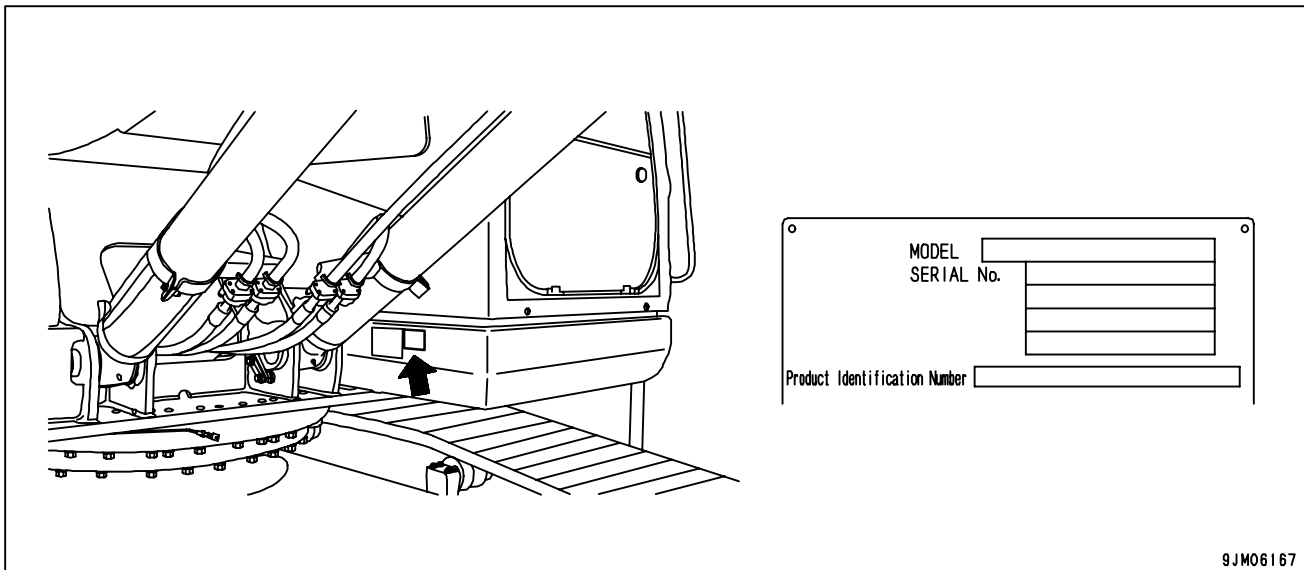
## PRODUCT INFORMATION

When requesting service or ordering replacement parts, please inform your Komatsu distributor of the following items.

### PRODUCT IDENTIFICATION NUMBER (PIN), MACHINE SERIAL NO. PLATE

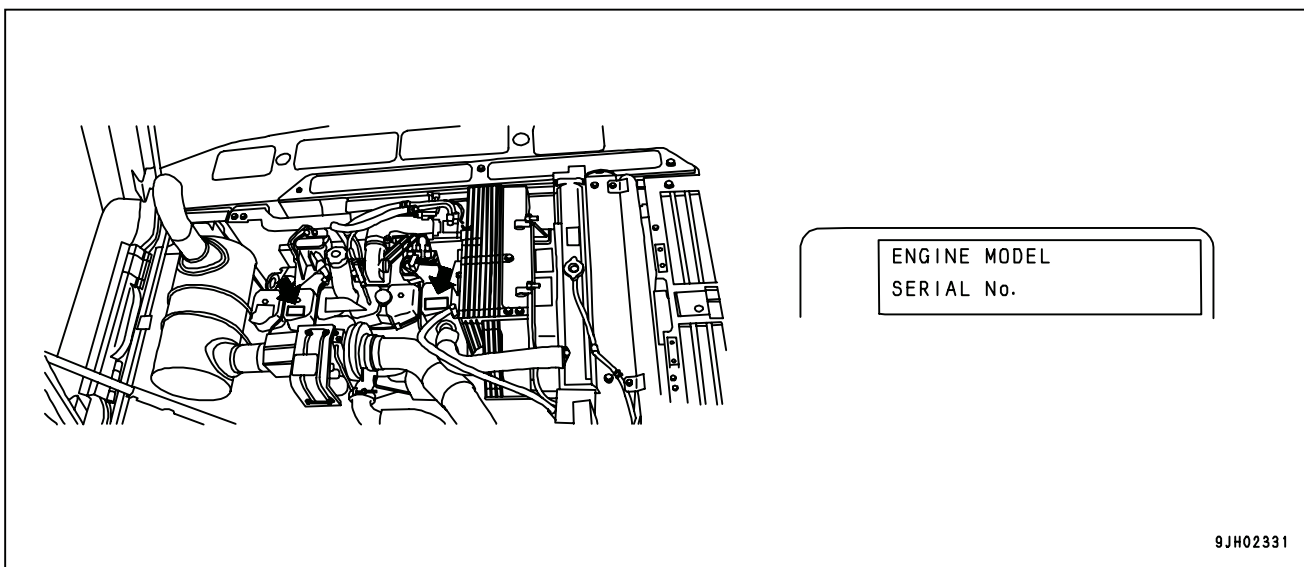
On the bottom right of the operator's cab

The design of the nameplate differs according to the territory.



### ENGINE SERIAL NUMBER PLATE AND ITS LOCATION

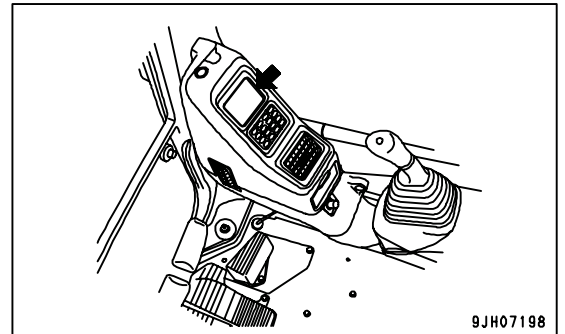
On the top of the No.1 cylinder head cover (The EPA auxiliary nameplate is on the top of the No. 5 cylinder head cover.)



EPA: Environmental Protection Agency, U.S.A.

## SERVICE METER LOCATION

On top of the machine monitor



## YOUR MACHINE SERIAL NUMBERS AND DISTRIBUTOR

Machine serial No.	
Engine serial No.	
Product identification number (PIN)	
Distributor name	
Address	-----
	-----
	-----
Service Personal	-----
Phone/Fax	-----

# CONTENTS

## FOREWORD

<b>FOREWORD</b> .....	1-2
<b>SAFETY INFORMATION</b> .....	1-5
<b>INTRODUCTION</b> .....	1-7
DIRECTIONS OF MACHINE .....	1-7
BREAKING-IN THE NEW MACHINE .....	1-7
<b>PRODUCT INFORMATION</b> .....	1-8
PRODUCT IDENTIFICATION NUMBER (PIN), MACHINE SERIAL NO. PLATE .....	1-8
ENGINE SERIAL NUMBER PLATE AND ITS LOCATION .....	1-8
SERVICE METER LOCATION .....	1-9
YOUR MACHINE SERIAL NUMBERS AND DISTRIBUTOR .....	1-9

## SAFETY

<b>SAFETY INFORMATION</b> .....	2-2
<b>POSITION FOR ATTACHING SAFETY LABELS</b> .....	2-4
POSITION FOR ATTACHING SAFETY LABELS .....	2-4
SAFETY LABELS .....	2-5
<b>SAFETY INFORMATION</b> .....	2-11
<b>SAFETY MACHINE OPERATION</b> .....	2-20
STARTING ENGINE .....	2-20
OPERATION .....	2-22
TRANSPORTATION .....	2-28
BATTERY .....	2-29
TOWING .....	2-31
LIFTING OBJECTS WITH BUCKET .....	2-32
<b>SAFETY MAINTENANCE INFORMATION</b> .....	2-33

## OPERATION

<b>GENERAL VIEW</b> .....	3-2
GENERAL VIEW OF MACHINE .....	3-2
GENERAL VIEW CONTROLS AND GAUGES .....	3-3
<b>EXPLANATION OF COMPONENTS</b> .....	3-4
MACHINE MONITOR .....	3-4
BASIC CHECK ITEMS .....	3-5
SWITCHES .....	3-17

CONTROL LEVERS, PEDALS .....	3-22
CEILING WINDOW .....	3-25
FRONT WINDOW .....	3-26
EMERGENCY EXIT FROM OPERATOR'S CAB .....	3-31
DOOR LOCK .....	3-31
CAP, COVER WITH LOCK.....	3-32
HOT AND COOL BOX .....	3-33
MAGAZINE BOX.....	3-33
ASHTRAY .....	3-33
AIR CONDITIONER CONTROLS.....	3-34
RADIO.....	3-48
FUSE .....	3-53
FUSIBLELINK.....	3-54
CONTROLLER (COMPUTER) .....	3-55
TOOLBOX.....	3-55
GREASE GUN HOLDER.....	3-55
HANDLING ACCUMULATOR.....	3-56
<b>MACHINE OPERATIONS AND CONTROLS.....</b>	<b>3-57</b>
BEFORE STARTING ENGINE .....	3-57
STARTING ENGINE .....	3-71
AFTER STARTING ENGINE .....	3-75
IN COLD WEATHER AREAS .....	3-77
STOPPING THE ENGINE .....	3-80
MACHINE OPERATION .....	3-81
STEERING THE MACHINE.....	3-85
SWINGING .....	3-87
WORK EQUIPMENT CONTROLS AND OPERATIONS .....	3-88
OPERATING WORKING MODE .....	3-90
PROHIBITED OPERATIONS .....	3-91
GENERAL OPERATION INFORMATION .....	3-93
TRAVELING ON SLOPES.....	3-94
ESCAPE FROM MUD.....	3-96
RECOMMENDED APPLICATIONS.....	3-97
REPLACEMENT AND INVERSION OF BUCKET .....	3-99
PARKING MACHINE .....	3-102
CHECK AFTER SHUT OFF ENGINE.....	3-103
MACHINE INSPECTION AFTER DAILY WORK.....	3-103
LOCKING.....	3-104
<b>TRANSPORTATION.....</b>	<b>3-105</b>
TRANSPORTATION PROCEDURE.....	3-105
LOADING AND UNLOADING WITH TRAILER .....	3-106
LIFTING MACHINE.....	3-113
<b>COLD WEATHER OPERATION .....</b>	<b>3-115</b>
COLD WEATHER OPERATION INFORMATION.....	3-115
AFTER DAILY WORK COMPLETION.....	3-117
AFTER COLD WEATHER SEASON .....	3-118

<b>LONG TERM STORAGE</b> .....	3-119
BEFORE STORAGE .....	3-119
DURING STORAGE .....	3-119
AFTER STORAGE .....	3-120
<b>TROUBLESHOOTING</b> .....	3-121
AFTER RUNNING OUT OF FUEL .....	3-121
PHENOMENA THAT ARE NOT FAILURES .....	3-121
TOWING THE MACHINE .....	3-122
LIGHTWEIGHT TOWING HOOK .....	3-123
PRECAUTIONS ON PARTICULAR JOBSITES .....	3-123
DISCHARGED BATTERY .....	3-124
OTHER TROUBLE .....	3-128
 <b>MAINTENANCE</b>	
<b>MAINTENANCE INFORMATION</b> .....	4-2
<b>OUTLINE OF SERVICE</b> .....	4-5
HANDLING OIL, FUEL, COOLANT, AND PERFORMING OIL CLINIC .....	4-5
ELECTRIC SYSTEM MAINTENANCE .....	4-9
<b>WEAR PARTS LIST</b> .....	4-10
<b>RECOMMENDED FUEL, COOLANT, AND LUBRICANT</b> .....	4-11
USE OF FUEL, COOLANT AND LUBRICANTS ACCORDING TO AMBIENT TEMPERATURE .....	4-12
RECOMMENDED BRANDS, RECOMMENDED QUALITY FOR PRODUCTS OTHER THAN KOMATSU GENUINE OIL .....	4-13
<b>TIGHTENING TORQUE SPECIFICATIONS</b> .....	4-14
TIGHTENING TORQUE LIST .....	4-14
<b>PERIODIC REPLACEMENT OF SAFETY CRITICAL PARTS</b> .....	4-15
SAFETY CRITICAL PARTS .....	4-15
<b>MAINTENANCE SCHEDULE</b> .....	4-16
MAINTENANCE SCHEDULE CHART .....	4-16
MAINTENANCE INTERVAL FOR HYDRAULIC BREAKER .....	4-18
<b>MAINTENANCE PROCEDURE</b> .....	4-19
INITIAL 250 HOURS MAINTENANCE (ONLY AFTER THE FIRST 250 HOURS) .....	4-19
INITIAL 1000 HOURS MAINTENANCE (ONLY AFTER THE FIRST 1000 HOURS) .....	4-19
WHEN REQUIRED .....	4-20
CHECK BEFORE STARTING .....	4-46
EVERY 100 HOURS MAINTENANCE .....	4-47
EVERY 250 HOURS MAINTENANCE .....	4-49
EVERY 500 HOURS MAINTENANCE .....	4-54
EVERY 1000 HOURS MAINTENANCE .....	4-61
EVERY 2000 HOURS MAINTENANCE .....	4-65
EVERY 4000 HOURS MAINTENANCE .....	4-67

EVERY 5000 HOURS MAINTENANCE.....	4-68
-----------------------------------	------

## SPECIFICATIONS

SPECIFICATIONS .....	5-2
----------------------	-----

## ATTACHMENTS AND OPTIONS

<b>GENERAL PRECAUTIONS FOR SAFETY</b> .....	6-2
---	-----

PRECAUTIONS WHEN SELECTING.....	6-2
---------------------------------	-----

READ THE INSTRUCTION MANUAL THOROUGHLY .....	6-2
--	-----

PRECAUTIONS WHEN REMOVING OR INSTALLING .....	6-2
---	-----

PRECAUTIONS WHEN USING.....	6-3
-----------------------------	-----

<b>BUCKET WITH HOOK</b> .....	6-4
-------------------------------	-----

HOOK CONDITION .....	6-4
----------------------	-----

PROHIBITED OPERATIONS .....	6-4
-----------------------------	-----

<b>MACHINES READY FOR ATTACHMENTS</b> .....	6-5
---	-----

EXPLANATION OF COMPONENTS .....	6-5
---------------------------------	-----

HYDRAULIC CIRCUIT.....	6-8
------------------------	-----

ATTACHMENT MOUNTING/DISMOUNTING PROCEDURE .....	6-12
---	------

OPERATION.....	6-14
----------------	------

LONG-TERM STORAGE.....	6-16
------------------------	------

SPECIFICATIONS .....	6-16
----------------------	------

<b>HANDLING SCSH BUSHING</b> .....	6-17
------------------------------------	------

EVERY 500 HOURS MAINTENANCE.....	6-17
----------------------------------	------

<b>ATTACHMENT GUIDE</b> .....	6-19
-------------------------------	------

COMBINATIONS OF WORK EQUIPMENT.....	6-19
-------------------------------------	------

SELECTION OF TRACK SHOES.....	6-22
-------------------------------	------

SELECTION OF BUCKET TEETH .....	6-23
---------------------------------	------

STANDARDS FOR SELECTING VERTICAL PIN TYPE AND HORIZONTAL PIN TYPE TEETH.....	6-23
--	------

HANDLING OF RUBBER PAD SHOE AND ROAD LINER .....	6-24
--	------

HANDLING TRAPEZOIDAL BUCKET .....	6-26
-----------------------------------	------

HANDLING EXTENSION ARM.....	6-27
-----------------------------	------

HANDLING CLAMSHELL BUCKET .....	6-28
---------------------------------	------

HANDLING HEATER.....	6-29
----------------------	------

<b>RECOMMENDED ATTACHMENT OPERATIONS</b> .....	6-41
--	------

HYDRAULIC BREAKER .....	6-41
-------------------------	------

## MULTI-MONITOR SPECIFICATION

### OPERATION

<b>CONTENTS</b> .....	7-2
<b>GENERAL VIEW</b> .....	7-3
GENERAL VIEW CONTROLS AND GAUGES.....	7-3
<b>EXPLANATION OF COMPONENTS</b> .....	7-4
MACHINE MONITOR .....	7-4
BASIC CHECK ITEMS.....	7-7
<b>MACHINE OPERATIONS AND CONTROLS</b> .....	7-28
BEFORE STARTING ENGINE .....	7-28
STARTING ENGINE .....	7-31
AFTER STARTING ENGINE .....	7-35
IN COLD WEATHER AREAS .....	7-38
MACHINE OPERATION .....	7-42
SWINGING .....	7-45
OPERATING WORKING MODE .....	7-46
GENERAL OPERATION INFORMATION .....	7-47
CHECK AFTER SHUT OFF ENGINE .....	7-48
MACHINE INSPECTION AFTER DAILY WORK .....	7-48
<b>TRANSPORTATION</b> .....	7-49
TRANSPORTATION PROCEDURE .....	7-49
LOADING AND UNLOADING WITH TRAILER .....	7-50
<b>MAINTENANCE</b>	
<b>MAINTENANCE PROCEDURE</b> .....	7-57
WHEN REQUIRED .....	7-57
<b>INDEX</b> .....	8-1

# SAFETY

 **WARNING**

**Please read and make sure that you fully understand precautions described in this manual and the safety labels on the machine. When operating or servicing the machine, always follow these precautions strictly.**

---



# SAFETY INFORMATION

POSITION FOR ATTACHING SAFETY LABELS .....	2-4
POSITION FOR ATTACHING SAFETY LABELS .....	2-4
SAFETY LABELS .....	2-5
SAFETY INFORMATION .....	2-11
SAFETY RULES .....	2-11
IF ABNORMALITIES ARE FOUND .....	2-11
WORKING WEAR AND PERSONAL PROTECTIVE ITEMS .....	2-11
FIRE EXTINGUISHER AND FIRST AID KIT .....	2-11
SAFETY EQUIPMENT .....	2-12
KEEP MACHINE CLEAN .....	2-12
KEEP OPERATOR'S COMPARTMENT CLEAN .....	2-12
LEAVING OPERATOR'S SEAT WITH LOCK .....	2-12
HANDRAILS AND STEPS .....	2-13
MOUNTING AND DISMOUNTING .....	2-14
NO PERSONS ON ATTACHMENTS .....	2-14
BURN PREVENTION .....	2-14
FIRE PREVENTION AND EXPLOSION PREVENTION .....	2-15
ACTION IF FIRE OCCURS .....	2-16
WINDSHIELD WASHER FLUID .....	2-16
FALLING OBJECTS, FLYING OBJECTS AND INTRUDING OBJECTS PREVENTION .....	2-16
ATTACHMENT INSTALLATION .....	2-16
ATTACHMENT COMBINATIONS .....	2-17
CAB WIDOW GLASSES .....	2-17
UNAUTHORIZED MODIFICATIONS .....	2-17
SAFETY AT JOBSITE .....	2-17
WORKING ON LOOSE GROUND .....	2-18
DISTANCE TO HIGH VOLTAGE CABLES .....	2-18
ENSURE GOOD VISIBILITY .....	2-18
VENTILATION FOR ENCLOSED AREA .....	2-19
SIGNALMAN'S SIGNAL AND SIGNS .....	2-19
EMERGENCY EXIT FROM OPERATOR'S CAB .....	2-19
ASBESTOS DUST HAZARD PREVENTION .....	2-19

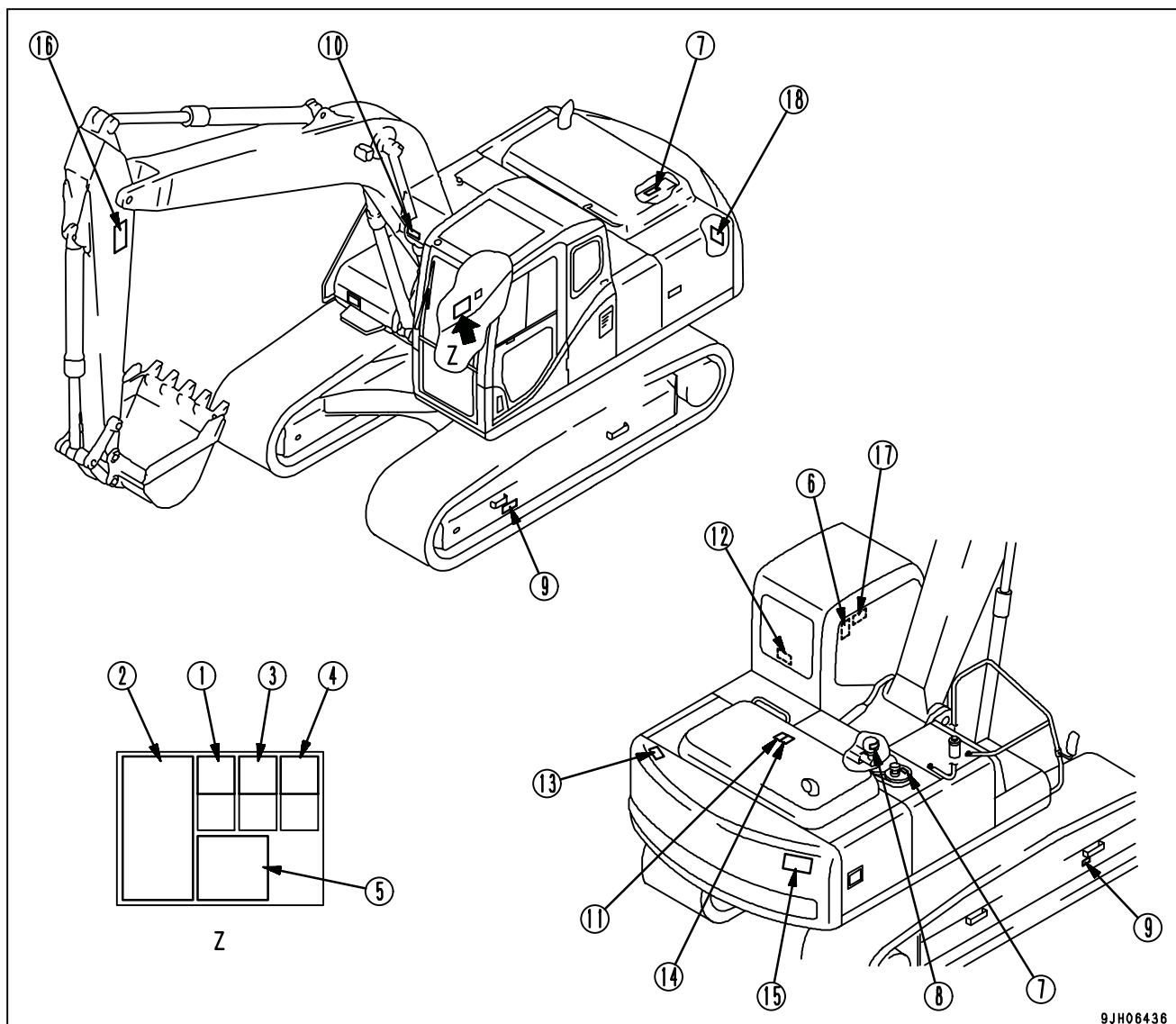
SAFETY MACHINE OPERATION .....	2-20
STARTING ENGINE .....	2-20
CHECKS BEFORE STARTING ENGINE .....	2-20
SAFETY RULES FOR STARTING ENGINE .....	2-21
STARTING ENGINE IN COLD WEATHER .....	2-21
OPERATION .....	2-22
CHECKS AFTER STARTING ENGINE .....	2-22
SAFETY RULES FOR CHANGING MACHINE DIRECTIONS .....	2-22
SAFETY RULES FOR TRAVELING .....	2-23
TRAVELING ON SLOPES .....	2-24
OPERATIONS ON SLOPES .....	2-25
PROHIBITED OPERATIONS .....	2-25
OPERATIONS ON SNOW .....	2-27
PARKING MACHINE .....	2-27
TRANSPORTATION .....	2-28
LOADING AND UNLOADING .....	2-28
SHIPPING THE MACHINE .....	2-28
BATTERY .....	2-29
BATTERY HAZARD PREVENTION .....	2-29
STARTING ENGINE WITH BOOSTER CABLES .....	2-30
TOWING .....	2-31
SAFETY RULES FOR TOWING .....	2-31
LIFTING OBJECTS WITH BUCKET .....	2-32
SAFETY RULES FOR LIFTING OBJECTS .....	2-32
SAFETY MAINTENANCE INFORMATION .....	2-33
WARNING TAG .....	2-33
KEEP WORK PLACE CLEAN AND TIDY .....	2-33
APPOINT LEADER WHEN WORKING WITH OTHERS .....	2-33
STOP ENGINE BEFORE CARRYING OUT MAINTENANCE .....	2-34
TWO WORKERS FOR MAINTENANCE WHEN ENGINE IS RUNNING .....	2-35
PROPER TOOLS .....	2-35
ACCUMULATOR .....	2-36
PERSONNEL .....	2-36
ATTACHMENTS .....	2-36
WORK UNDER THE MACHINE .....	2-36
NOISE .....	2-37
WHEN USING HAMMER .....	2-37
WELDING WORKS .....	2-37
REMOVING BATTERY TERMINALS .....	2-37
SAFETY FIRST WHEN USING HIGH-PRESSURE GREASE TO ADJUST TRACK TENSION .....	2-38
DO NOT DISASSEMBLE RECOIL SPRINGS .....	2-38
SAFETY RULES FOR HIGH-PRESSURE OIL .....	2-38
SAFETY HANDLING HIGH-PRESSURE HOSES .....	2-39
WASTE MATERIALS .....	2-39
AIR CONDITIONER MAINTENANCE .....	2-39
COMPRESSED AIR .....	2-39
PERIODIC REPLACEMENT OF SAFETY CRITICAL PARTS .....	2-40

## POSITION FOR ATTACHING SAFETY LABELS

The following warning signs and safety labels are used on this machine.

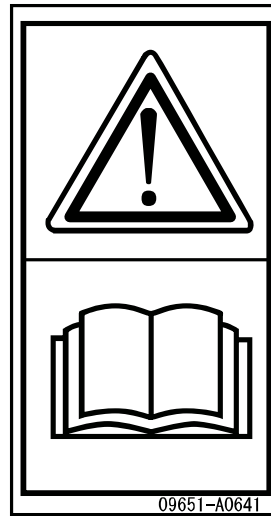
- Be sure that you fully understand the correct position and content of labels.
- To ensure that the content of labels can be read properly. Be sure that they are in the correct place and always keep them clean. When cleaning them, do not use organic solvents or gasoline, there may cause the labels to peel off.
- There are also other labels in addition to the warning signs and safety labels. Handle those labels in the same way.
- If the labels are damaged, lost, or cannot be read properly, replace them with new ones. For details of the part numbers for the labels, see this manual or the actual label, and place an order with Komatsu distributor.

## POSITION FOR ATTACHING SAFETY LABELS



**SAFETY LABELS**

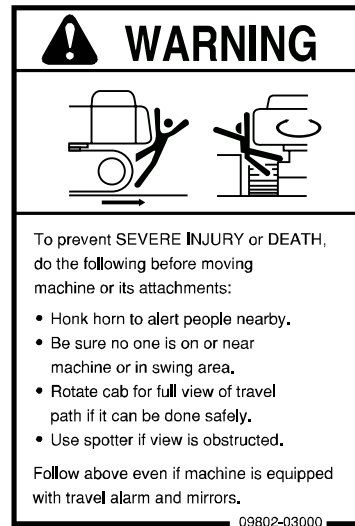
- (1) Precautions for operation, inspection and maintenance (09651-A0641)



Warning !

Read manual before operation, maintenance, disassembly, assembly and transportation.

- (2) Precautions for before operation (09802-03000)



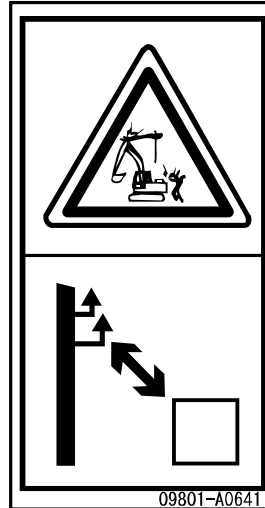
- (3) Warning for leaving operator's seat (09654-A0641)



Sign indicates a hazard of being caused or run over by unexpected moving of stopped machine.

Lower working device to ground, move safety lever to lock position and take engine key with you before leaving machine.

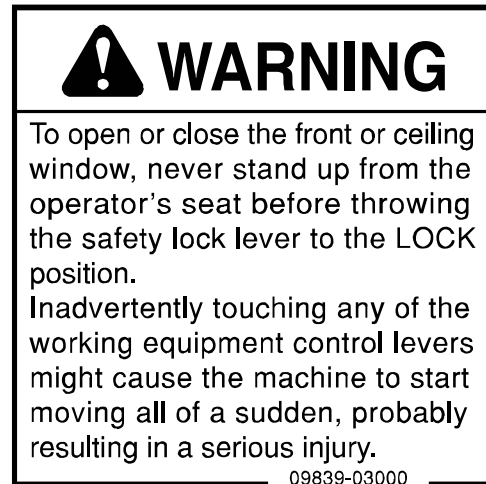
(4) Warnings for high voltage (09801-A0641)



Sign indicates an electrocution hazard if machine is brought too near electric power lines.

Keep a safe distance from electric power lines.

(5) Warnings when opening front window (09839-03000)



(6) Warnings when stowing front window (09308-A0481)



Sign indicates a hazard from falling window.

After raising window, be sure to lock it in place with lock pins.

**SAFETY**

**POSITION FOR ATTACHING SAFETY LABELS**

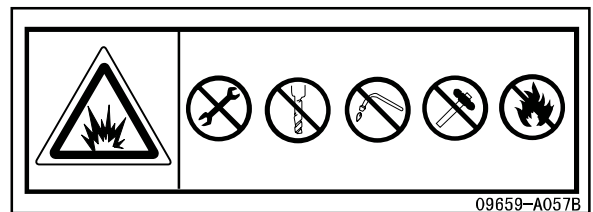
- (7) Precautions for high-temperature coolant and hydraulic oil (09653-A0481)



Sign indicates a burn hazard from spurting hot water or oil if radiator or hydraulic tank is uncapped while hot.

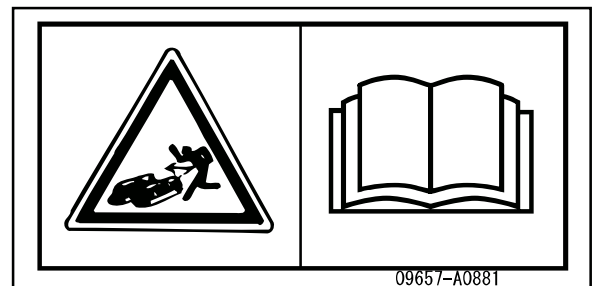
Allow radiator or hydraulic tank to cool before removing cap.

- (8) Precautions when handling accumulator (09659-A057B)



Sign indicates Never drill, cut with gas, hit or disassemble. Also keep open flame away. hazard.

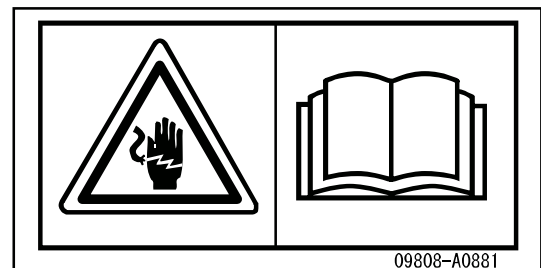
- (9) Precautions when adjusting track tension (09657-A0881)



Sign indicates a hazard of flying plug from track adjuster that could cause injury.

Read manual and adjusting track for safe and proper handling.

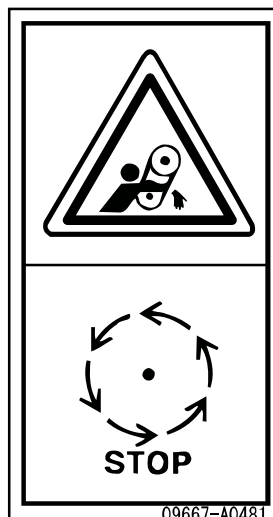
- (10) Precautions when handling cable (09808-A0881)



Sign indicates an electric hazard from handling the cable.

Read manual for safe and proper handling.

(11) Stop rotation when performing testing and adjusting (09667-A0481)

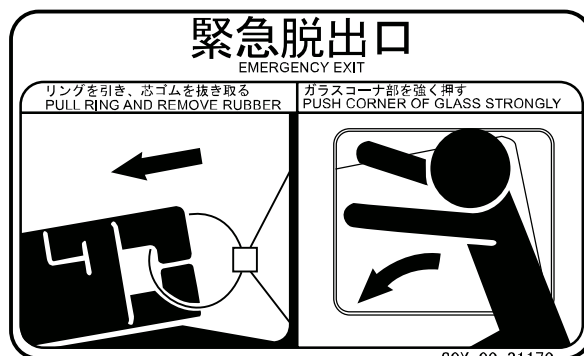


Sign indicates a hazard of rotating parts, such as belt.

Turn off before inspection and maintenance.

09667-A0481

(12) Explanation of methods for emergency escape (20Y-00-31170)



20Y-00-31170

(13) Roll-over precautions (09805-A0881)



09805-A0881

Sign indicates a hazard of falling off the fender or hood.

Never stand close to the edge.

**SAFETY**

**POSITION FOR ATTACHING SAFETY LABELS**

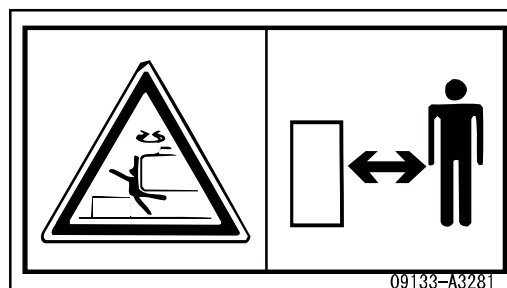
(14) Roll-over precautions (09805-C0881)



Sign indicates a hazard of falling.

Do not stand on this place here.

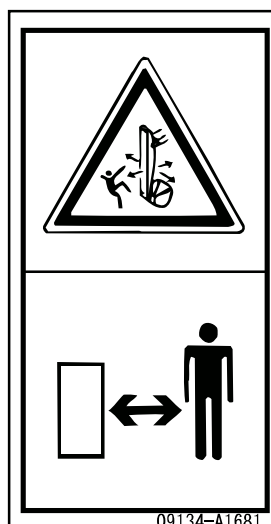
(15) Prohibited to enter within swing range (09133-A3281)



Sign indicates a crush hazard by rotation of upper structure of the machine.

Keep away from swinging area of the machine.

(16) Beware of equipment (09134-A1681)

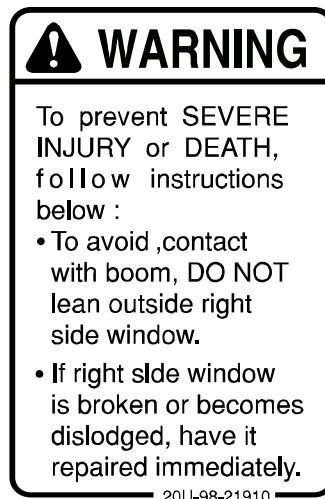


Sign indicates a hazard of being hit by the working device of the machine.

Keep away from machine during operation.



(17) Precautions for broken or becomes dislodged to the window (20U-98-21910)



(18) Prohibition of jump start (09842-A0481)



Start the engine only after sitting down in the operator's seat.

Do not attempt to start the engine by short-circuiting the engine starting circuit. Such an act may cause a serious bodily injury or fire.

# SAFETY INFORMATION

## SAFETY RULES

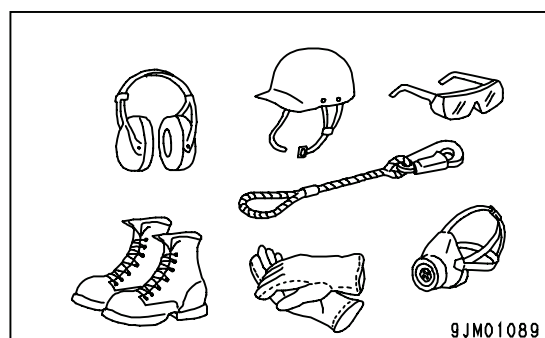
- Only trained and authorized personnel can operate and maintain the machine.
- Follow all safety rules, precautions and instructions when operating or performing maintenance on the machine.
- If you are under the influence of alcohol or medication, your ability to safely operate or repair your machine may be severely impaired putting yourself and everyone else on your jobsite in danger.
- When working with another operator or with a person on worksite traffic duty, be sure that all personnel understand all hand signals that are to be used.

## IF ABNORMALITIES ARE FOUND

If you find any abnormality in the machine during operation or maintenance (noise, vibration, smell, incorrect gauges, smoke, oil leakage, etc., or any abnormal display on the warning devices or monitor), report to the person in charge and have the necessary action taken. Do not operate the machine until the abnormality has been corrected.

## WORKING WEAR AND PERSONAL PROTECTIVE ITEMS

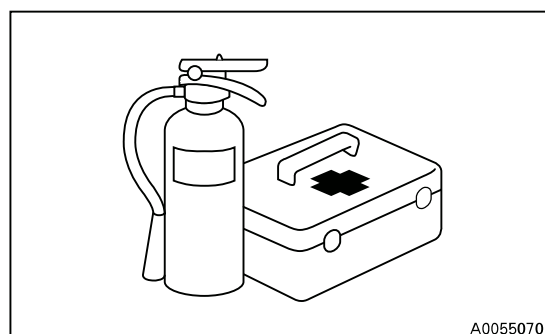
- Do not wear loose clothing and accessories. There is a hazard that they may catch on control levers or other protruding parts.
- If you have long hair and it hangs out from your hard hat, there is a hazard that it may get caught up in the machine, so tie your hair up and be careful not to let it get caught.
- Always wear a hard hat and safety shoes. If the nature of the work requires it, wear safety glasses, mask, gloves, ear plugs, and safety belt when operating or maintaining the machine.
- Check that all protective equipment functions properly before using it.



## FIRE EXTINGUISHER AND FIRST AID KIT

Always follow the precautions below to prepare for action if any injury or fire should occur.

- Be sure that fire extinguishers have been provided and read the labels to ensure that you know how to use them in emergencies.
- Carry out periodic inspection and maintenance to ensure that the fire extinguisher can always be used.
- Provide a first aid kit at the storage point. Carry out periodic checks and add to the contents if necessary.

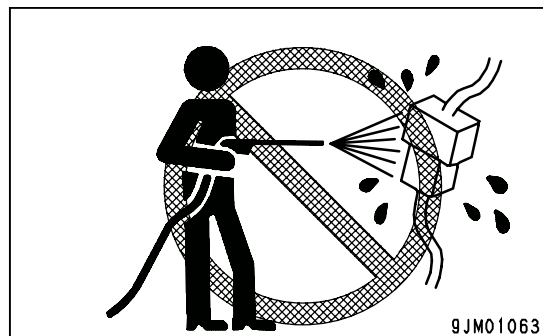


## SAFETY EQUIPMENT

- Be sure that all guards and covers are in their proper position. Have guards and covers repaired immediately if they are damaged.
- Understand the method of use of safety features and use them properly.
- Never remove any safety features. Always keep them in good operating condition.

## KEEP MACHINE CLEAN

- If water gets into the electrical system, there is a hazard that it will cause malfunctions or misoperation. Do not use water or steam to wash the electrical system (sensors, connectors).
- If inspection and maintenance is carried out when the machine is still dirty with mud or oil, there is a hazard that you will slip and fall, or that dirt or mud will get into your eyes. Always keep the machine clean.

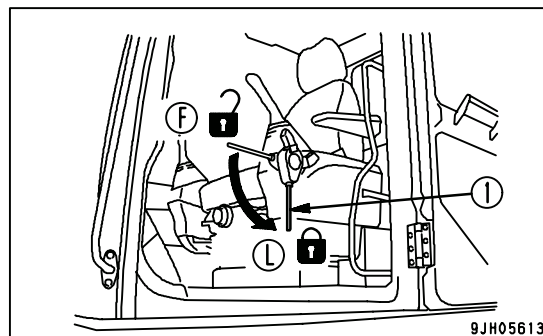


## KEEP OPERATOR'S COMPARTMENT CLEAN

- When entering the operator's compartment, always remove all mud and oil from the soles of your shoes. If you operate the pedal with mud or oil affixed to your shoes, your foot may slip and this may cause a serious accident.
- Do not leave parts or tools lying around the operator's compartment.
- Do not stick suction pads to the window glass. Suction pads act as a lens and may cause fire.
- Do not use cellular telephones inside the operator's compartment when driving or operating the machine.
- Never bring any dangerous objects such as flammable or explosive items into the operator's cab.

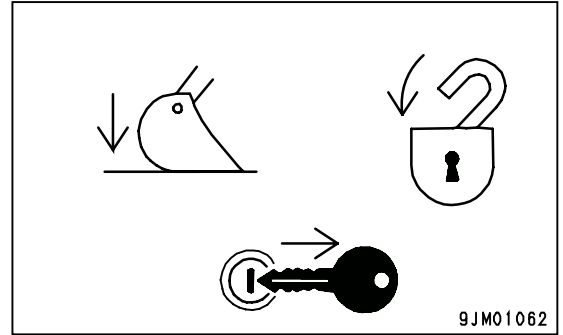
## LEAVING OPERATOR'S SEAT WITH LOCK

- Before standing up from the operator's seat (such as when opening or closing the front window or roof window, or when removing or installing the bottom window, or when adjusting the operator's seat), lower the work equipment completely to the ground, set lock lever (1) securely to the LOCK position (L), then stop the engine. If you accidentally touch the levers when they are not locked, there is a hazard that the machine may suddenly move and cause serious injury or property damage.



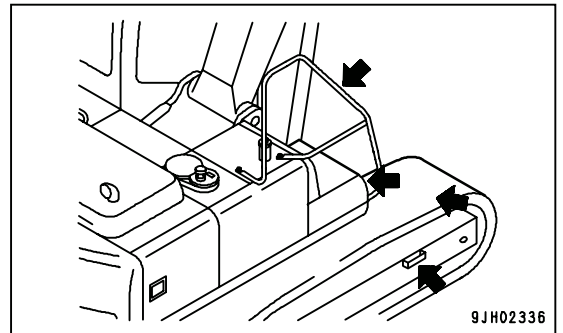
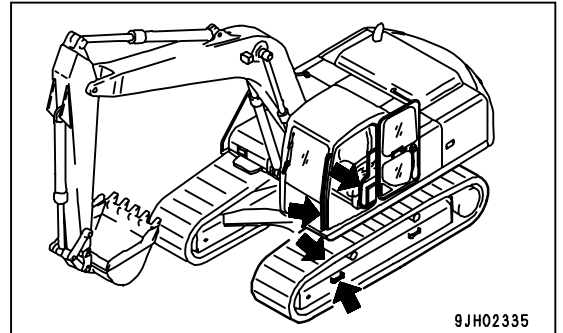
**SAFETY****SAFETY INFORMATION**

- When leaving the machine, always lower the work equipment completely to the ground, set lock lever (1) securely to LOCK position (L), then stop the engine. Use the key to lock all the equipment. Always remove the key, take it with you, and keep it in the specified place.

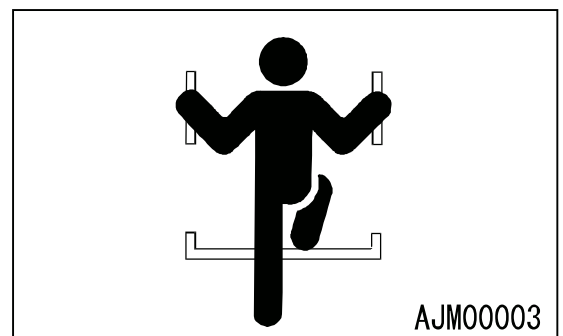
**HANDRAILS AND STEPS**

To prevent personal injury caused by slipping or falling off the machine, always do as follows.

- Use the handrails and steps marked by arrows in the diagram on the right when getting on or off the machine.



- To ensure safety, always face the machine and maintain three-point contact (both feet and one hand, or both hands and one foot) with the handrails and steps (including the track shoe) to ensure that you support yourself.
- Do not grip the control levers or lock lever when getting on or off the machine.
- Never climb on the engine hood or covers where there are no non-slip pads.



- Before getting on or off the machine, check the handrails and steps (including the track shoe). If there is any oil, grease, or mud on the handrails or steps (including the track shoe), wipe it off immediately. Always keep these parts clean. Repair any damage and tighten any loose bolts.
- Do not get on or off the machine while holding tools in your hand.

## MOUNTING AND DISMOUNTING

- Never jump on or off the machine. Never get on or off a moving machine.
- If the machine starts to move when there is no operator on the machine, do not jump on to the machine and try to stop it.

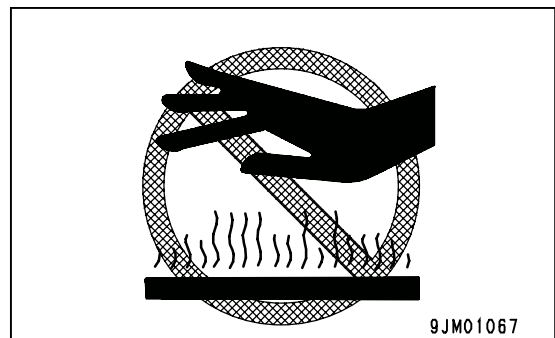
## NO PERSONS ON ATTACHMENTS

Never let anyone ride on the bucket, grapple, clamshell, or other attachments. There is a hazard of falling and suffering serious injury.

## BURN PREVENTION

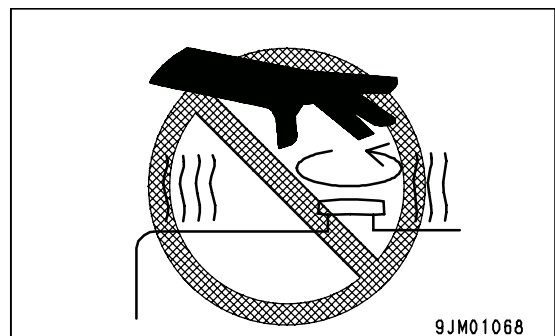
### Hot coolant

- To prevent burns from hot water or steam spurting out when checking or draining the coolant, wait for the water to cool to a temperature where it is possible to touch the radiator cap by hand before starting the operation. Even when the coolant has cooled down, loosen the cap slowly to relieve the pressure inside the radiator before removing the cap.



### Hot oil

- To prevent burns from hot oil spurting out when checking or draining the oil, wait for the oil to cool to a temperature where it is possible to touch the cap or plug by hand before starting the operation. Even when the oil has cooled down, loosen the cap or plug slowly to relieve the internal pressure before removing the cap or plug.

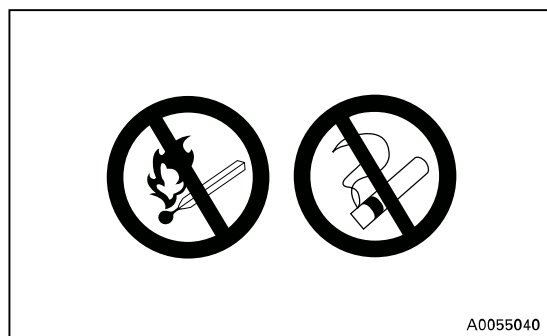
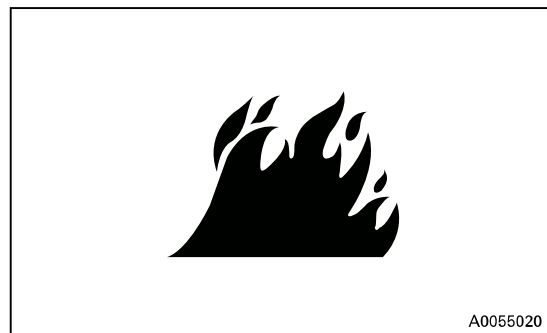


## FIRE PREVENTION AND EXPLOSION PREVENTION

- **Fire caused by fuel or oil**

Fuel, oil, antifreeze, and window washer liquid are particularly flammable and can be hazardous. To prevent fire, always observe the following:

- Do not smoke or use any flame near fuel or oil.
- Stop the engine before refueling.
- Do not leave the machine while adding fuel or oil.
- Tighten all fuel and oil caps securely.
- Do not spill fuel on overheated surfaces or on parts of the electrical system.
- Use well-ventilated areas for adding or storing oil and fuel.
- Keep oil and fuel in the determined place and do not allow unauthorized persons to enter.
- After adding fuel or oil, wipe up any spilled fuel or oil.
- When carrying out grinding or welding work on the chassis, move any flammable materials to a safe place before starting.
- When washing parts with oil, use a non-flammable oil. Diesel oil and gasoline may catch fire, so do not use them.
- Put greasy rags and other flammable materials into a safe container to maintain safety at the work place.
- Do not weld or use a cutting torch to cut any pipes or tubes that contain flammable liquids.



- **Fire caused by accumulation of flammable material.**

- Remove any dry leaves, chips, pieces of paper, dust, or any other flammable materials accumulated or affixed around the engine, exhaust manifold, muffler, or battery, or inside the undercovers.

- **Fire coming from electric wiring**

Short circuits in the electrical system can cause fire.

- Always keep electric wiring connections clean and securely tightened.
- Check the wiring every day for looseness or damage. Tighten any loose connectors or wiring clamps. Repair or replace any damaged wiring.

- **Fire coming from hydraulic line**

Check that all the hose and tube clamps, guards, and cushions are securely fixed in position.

If they are loose, they may vibrate during operation and rub against other parts. This may lead to damage to the hoses, and cause high-pressure oil to spurt out, leading to fire damage or serious injury.

- **Explosion caused by lighting equipment**

- When checking fuel, oil, battery electrolyte, window washer fluid, or coolant, always use lighting with anti-explosion specifications. If such lighting equipment is not used, there is danger of explosion that may cause serious injury.
- When taking the electrical power for the lighting from the machine, follow the instructions in this manual.

## ACTION IF FIRE OCCURS

If a fire occurs, escape from the machine as follows.

- Turn the starting switch OFF and stop the engine.
- Use the handrails and steps to get off the machine.

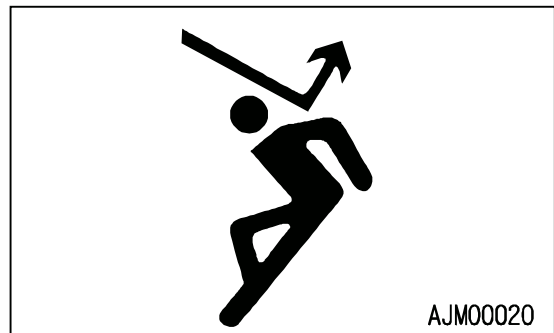
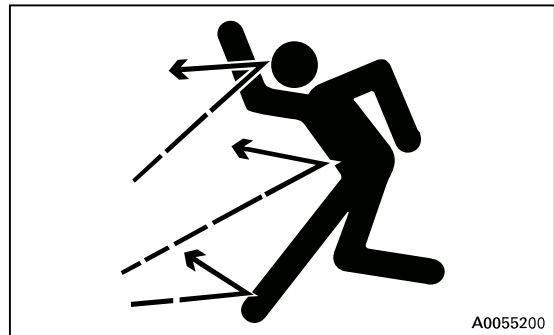
## WINDSHIELD WASHER FLUID

Use an ethyl alcohol base washer liquid. Methyl alcohol base washer liquid may irritate your eyes, so do not use it.

## FALLING OBJECTS, FLYING OBJECTS AND INTRUDING OBJECTS PREVENTION

On jobsites where there is a hazard that falling objects, flying objects, or intruding objects may hit or enter the operator's cab, consider the operating conditions and install the necessary guards to protect the operator.

- When carrying out demolition or breaker operations, install a front guard and always keep all the windows closed when operating. In addition, always check that there is no one except the operator in the surrounding area. They may be hit by falling objects or flying objects.
- When operating on jobsites, such as mines or quarries, where there is a hazard of falling rocks, install FOPS and a front guard, and always keep all the windows and doors closed when operating. In addition, always check that there is no one except the operator in the surrounding area. They may be hit by falling objects or flying objects.
- The above recommendations assume that the conditions are for standard operations, but it may be necessary to add additional guards according to the operating conditions on the jobsite.  
Always contact your Komatsu distributor for advice.



## ATTACHMENT INSTALLATION

- When installing optional parts or attachments, there may be problems with safety or legal restrictions, so please contact your Komatsu distributor for advice.
- Any injuries, accidents, or product failures resulting from the use of unauthorized attachments or parts will not be the responsibility of Komatsu.
- When installing and using optional attachments, read the instruction manual for the attachment, and the general information related to attachments in this manual.

## ATTACHMENT COMBINATIONS

Depending on the type or combination of work equipment, there is a hazard that the work equipment may hit the cab or other parts of the machine. Before using unfamiliar work equipment, check if there is any hazard of interference, and operate with caution.

## CAB WIDOW GLASSES

- If the cab glass on the work equipment side is broken, there is a hazard that the work equipment may contact the operator's body directly. Stop operation immediately and replace the glass.
- The ceiling window is made of organic glass (polycarbonate), and as such it is apt to break easily when receiving damage on the surface, thereby deteriorating its protective characteristic. If there is a crack or damage caused by a fallen rock, or when any sign of them is noticed, replace it with a new window.

## UNAUTHORIZED MODIFICATIONS

Any modification made without authorization from Komatsu can create hazards. Before making a modification, consult your Komatsu distributor.

- Komatsu will not be responsible for any injuries, accidents, or product failures resulting from modifications made without authorization from Komatsu.

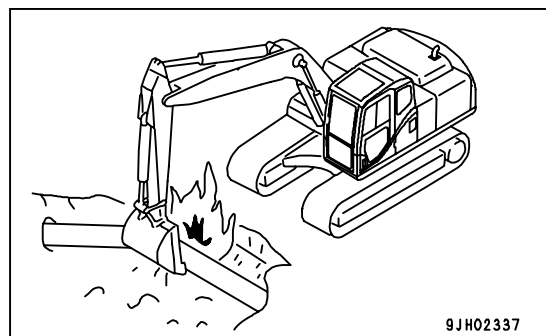
## SAFETY AT JOBSITE

Before starting operations, thoroughly check the area for any unusual conditions that could be dangerous.

- When carrying out operations near combustible materials such as thatched roofs, dry leaves or dry grass, there is a hazard of fire, so be careful when operating.
- Check the terrain and condition of the ground at the worksite, and determine the safest method of operation. Do not carry out operations at places where there is a hazard of landslides or falling rocks.
- If water lines, gas lines, or high-voltage electrical lines may be buried under the worksite, contact each utility and identify their locations. Be careful not to sever or damage any of these lines.
- Take action to prevent unauthorized people from approaching the jobsite.

When working on public roads, position flagmen and erect barriers to ensure the safety of passing traffic and pedestrians.

- When traveling or operating in shallow water or on soft ground, check the shape and condition of the bedrock, and the depth and speed of flow of the water before starting operations.



9JH02337



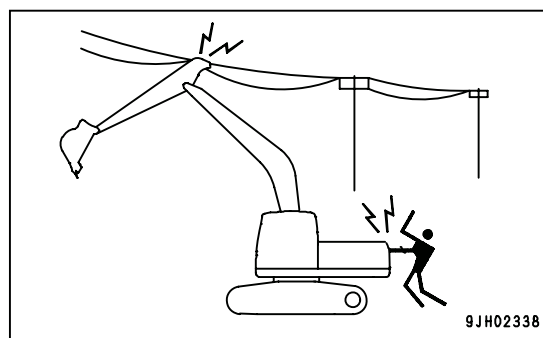
## WORKING ON LOOSE GROUND

- Avoid traveling or operating your machine too close to the edge of cliffs, overhangs, and deep ditches. The ground may be weak in such areas. If the ground should collapse under the weight or vibration of the machine, there is a hazard that the machine may fall or tip over. Remember that the soil after heavy rain or blasting or after earthquakes is weak in these areas.
- When working on embankments or near excavated ditches, there is a hazard that the weight and vibration of the machine will cause the soil to collapse. Before starting operations, take steps to ensure that the ground is safe and to prevent the machine from rolling over or falling.

## DISTANCE TO HIGH VOLTAGE CABLES

Do not travel or operate the machine near electric cables. There is a hazard of electric shock, which may cause serious injury or property damage. On jobsites where the machine may go close to electric cables, always do as follows.

- Before starting work near electric cables, inform the local power company of the work to be performed, and ask them to take the necessary action.



- Even going close to high-voltage cables can cause electric shock, which may cause serious burns or even death. Always maintain a safe distance (see the table on the right) between the machine and the electric cable. Check with the local power company about safe operating procedure before starting operations.
- To prepare for any possible emergencies, wear rubber shoes and gloves. Lay a rubber sheet on top of the seat, and be careful not to touch the chassis with any exposed part of your body.
- Use a signalman to give warning if the machine approaches too close to the electric cables.
- When carrying out operations near high voltage cables, do not let anyone come close to the machine.
- If the machine should come too close or touch the electric cable, to prevent electric shock, the operator should not leave the operator's compartment until it has been confirmed that the electricity has been shut off. Also, do not let anyone come close to the machine.

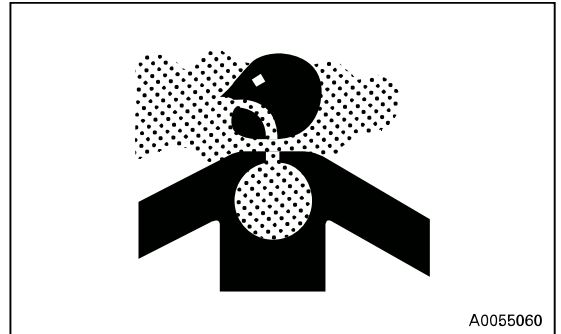
	Voltage	Min. safety distance
Low voltage	100V 200V	2m
	6,600V	2m
Very high voltage	22,000V	3m
	66,000V	4m
	154,000V	5m
	187,000V	6m
	275,000V	7m
	500,000V	11m

## ENSURE GOOD VISIBILITY

- Check for any persons or obstacles in the area around the machine and check the conditions of the jobsite to ensure that operations and travel can be carried out safely. Always do as follows.
  - When working in dark places, turn on the working lamp and front lamps installed to the machine, and set up additional lighting in the work area if necessary.
  - Stop operations if the visibility is poor, such as in mist, snow, rain, or dust.

## VENTILATION FOR ENCLOSED AREA

If it is necessary to start the engine within an enclosed area, or when handling fuel, flushing oil, or paint, open the doors and windows to ensure that adequate ventilation is provided to prevent gas poisoning.



## SIGNALMAN'S SIGNAL AND SIGNS

- Set up signs to inform of road shoulders and soft ground. If the visibility is not good, position a signalman if necessary. Operators should pay careful attention to the signs and follow the instructions from the signalman.
- Only one signalman should give signals.
- Make sure that all workers understand the meaning of all signals and signs before starting work.

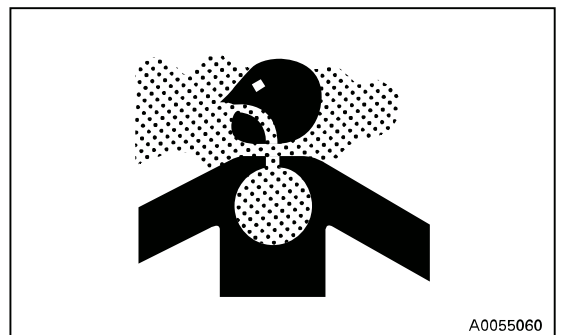
## EMERGENCY EXIT FROM OPERATOR'S CAB

- If it should become impossible to open the cab door for any reason, open the rear window and use it as an emergency escape. For details, see "EMERGENCY EXIT FROM OPERATOR'S CAB (PAGE 3-31)" in this manual.

## ASBESTOS DUST HAZARD PREVENTION

Asbestos dust in the air can cause lung cancer if it is inhaled. There is danger of inhaling asbestos when working on jobsites handling demolition work or work handling industrial waste. Always observe the following.

- Spray water to keep down the dust when cleaning. Do not use compressed air for cleaning.
- If there is danger that there may be asbestos dust in the air, always operate the machine from an upwind position. All workers should use an approved respirator.
- Do not allow other persons to approach during the operation.
- Always observe the rules and regulations for the work site and environmental standards.

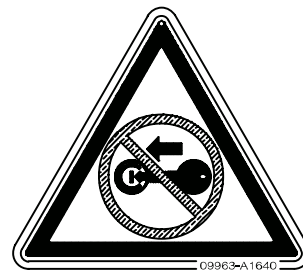
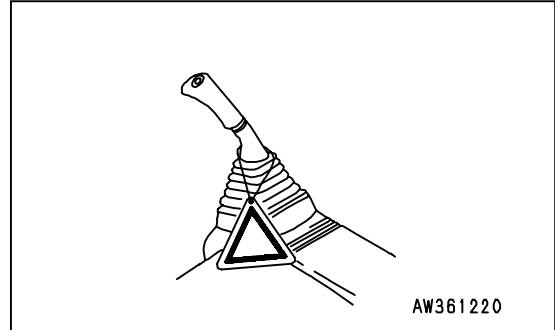


This machine does not use asbestos, but there is a danger that imitation parts may contain asbestos, so always use genuine Komatsu parts.

# SAFETY MACHINE OPERATION

## STARTING ENGINE

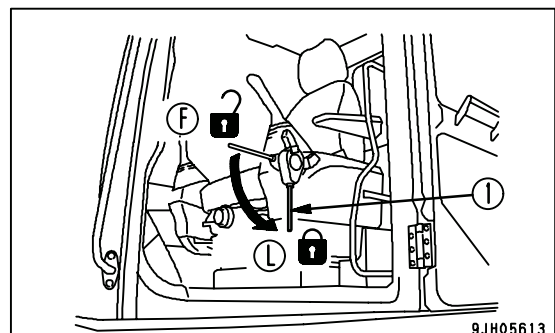
If there is a warning tag hanging from the work equipment control lever, do not start the engine or touch the levers.



## CHECKS BEFORE STARTING ENGINE

Carry out the following checks before starting the engine at the beginning of the day's work.

- Remove all dirt from the surface of the window glass to ensure a good view.
- Remove all dirt from the surface of the lens of the front lamps and working lamps, and check that they light up correctly.
- Check the coolant level, fuel level, and oil level in engine oil pan, check for clogging of the air cleaner, and check for damage to the electric wiring.
- Adjust the operator's seat to a position where it is easy to carry out operations, and check that there is no damage or wear to the seat belt or mounting clamps.
- Check the operation of the instruments and gauges, check the angle of the mirror, and check that the control levers are all at the Neutral position.
- Before starting the engine, check that lock lever (1) is in LOCK position (L).
- Adjust the mirrors so that the rear of the machine can be seen clearly from the operator's seat. When adjusting, see "ADJUSTMENT OF MIRRORS (PAGE 3-67)".
- Check that there are no persons or obstacles above, below, or in the area around the machine.



## SAFETY RULES FOR STARTING ENGINE

- When starting the engine, sound the horn as a warning.
- Start and operate the machine only while seated.
- Do not allow anyone apart from the operator to ride on the machine.
- Do not short circuit the starting motor circuit to start the engine. It is not only dangerous, but will also cause damage to the equipment.

## STARTING ENGINE IN COLD WEATHER

- Carry out the warming-up operation thoroughly. If the machine is not thoroughly warmed up before the control levers are operated, the reaction of the machine will be slow, and this may lead to unexpected accidents.
- If the battery electrolyte is frozen, do not charge the battery or start the engine with a different power source. There is a hazard that this will ignite the battery. Before charging or starting the engine with a different power source, melt the battery electrolyte and check for frost and leakage of battery electrolyte before starting.

## OPERATION

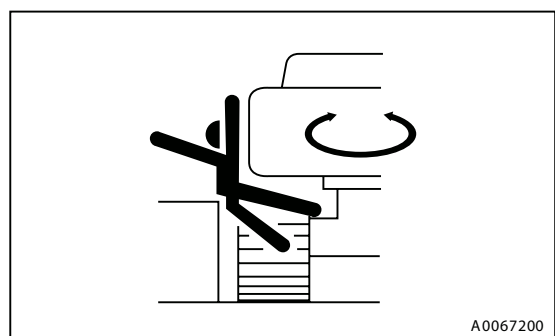
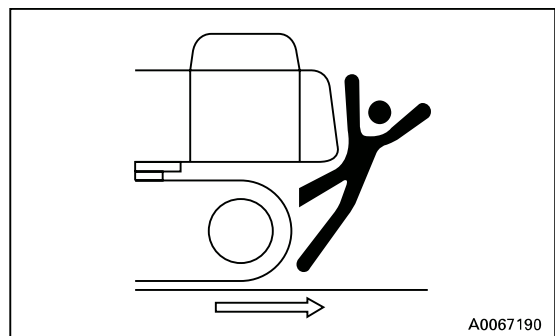
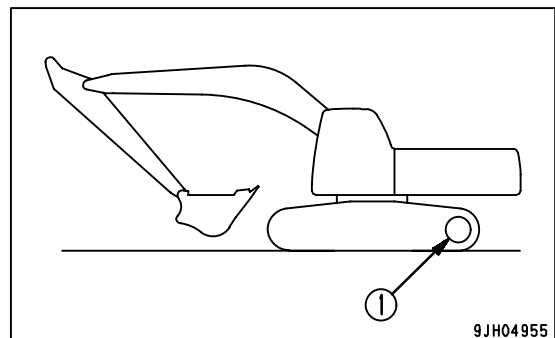
### CHECKS AFTER STARTING ENGINE

When carrying out the checks, move the machine to a wide area where there are no obstructions, and operate slowly. Do not allow anyone near the machine.

- Always fasten your seat belt.
- Check that the movement of the machine matches the display on the control pattern card. If it does not match, replace it immediately with the correct control pattern card.
- Check the operation of the gauges and equipment, and check the operation of the bucket, arm, boom, travel system, swing system, and steering system.
- Check for any abnormality in the sound of the machine, vibration, heat, smell, or gauges; check also that there is no leakage of oil or fuel.
- If any abnormality is found, carry out repairs immediately.

### SAFETY RULES FOR CHANGING MACHINE DIRECTIONS

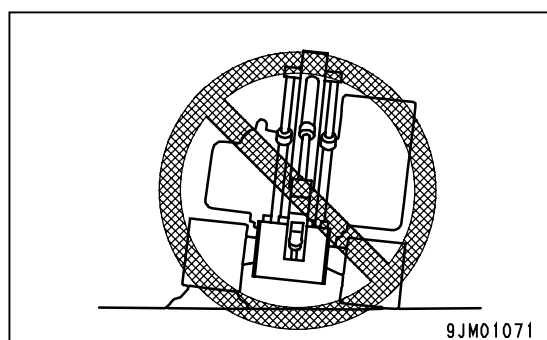
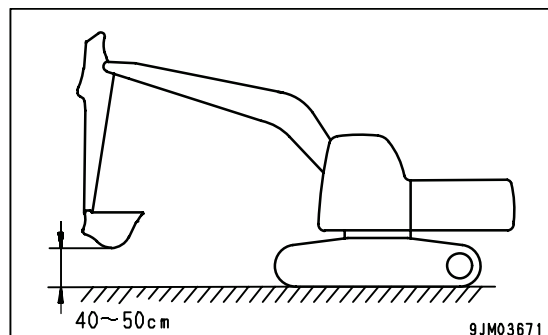
- Before traveling, set the machine so that sprocket (1) is behind the operator's seat.  
If sprocket (1) is in front of the operator's cab, the machine moves in the opposite direction from the operation of the lever (front and rear travel is reversed, left and right steering is reversed). Be extremely careful when operating the machine in this situation.
- Before travelling, check again that there is no one in the surrounding area, and that there are no obstacles.
- Before travelling, sound the horn to warn people in the area.
- Always operate the machine only when seated.
- Do not allow anyone apart from the operator to ride on the machine.
- Check that the travel alarm (if equipped) works properly.
- Always lock all the door and windows of the operator's compartment in position (open or closed).  
On jobsites where there is a hazard of flying objects or of objects entering the operator's compartment, check that all the door and windows are securely closed.
- If there is an area to the rear of the machine which cannot be seen, position a signal person. Take special care not to hit other machines or people when turning or swinging the machine.



Always be sure to carry out the above precautions even when the machine is equipped with mirrors.

## SAFETY RULES FOR TRAVELING

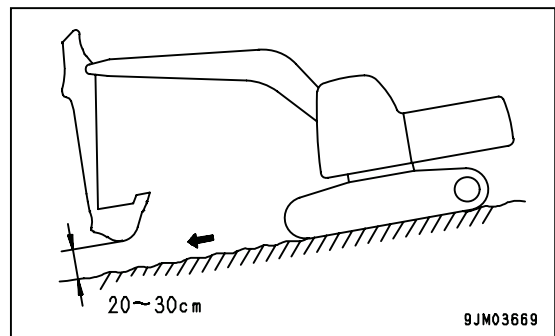
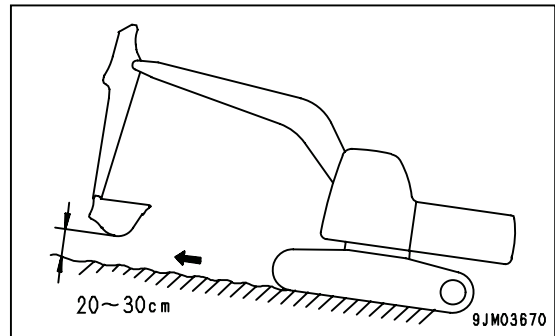
- When traveling on flat ground, keep the work equipment 40 to 50 cm (16 to 20 in) high above the ground.
- When traveling on rough ground, travel at low speed and do not operate the steering suddenly. There is danger that the machine may turn over. The work equipment may hit the ground surface and cause the machine to lose its balance, or may damage the machine or structures in the area.
- When traveling on rough ground or steep slopes, if the machine is equipped with auto-deceleration, always turn the auto-deceleration switch OFF (cancel).
- Avoid traveling over obstacles when possible. If the machine has to travel over an obstacle, keep the work equipment close to the ground and travel at low speed. Never travel over obstacles which make the machine tilt strongly to one side.
- When traveling or carrying out operations, always keep a safe distance from people, structures, or other machines to avoid coming into contact with them.
- When passing over bridges or structures, check first that the structure is strong enough to support the weight of the machine.  
When traveling on public roads, check first with the relevant authorities and follow their instructions.
- When operating in tunnels, under bridges, under electric wires, or other places where the height is limited, operate slowly and be extremely careful not to let the work equipment hit anything.



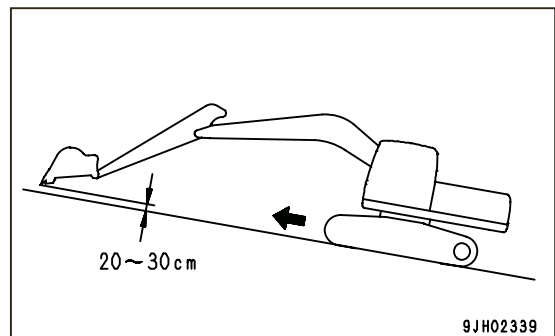
## TRAVELING ON SLOPES

To prevent the machine from tipping over or slipping to the side, always do as follows.

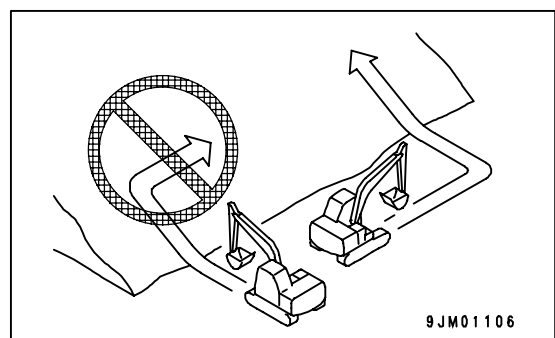
- When traveling on slopes, keep the work equipment approximately 20 to 30 cm (8 to 12 in) above the ground. In case of emergency, quickly lower the work equipment to the ground immediately to help stop the machine.
- When travel up slopes, set the operator's cab facing uphill, when travel down slopes, set the operator's cab facing downhill.  
Always check the firmness of the ground under the front of the machine when traveling.



- When traveling up a steep slope, extend the work equipment to the front to improve the balance, keep the work equipment approximately 20 to 30 cm (8 to 12 in) above the ground, and travel at low speed.
- When traveling downhill, lower the engine speed, keep the travel lever close to the neutral position, and travel at low speed.



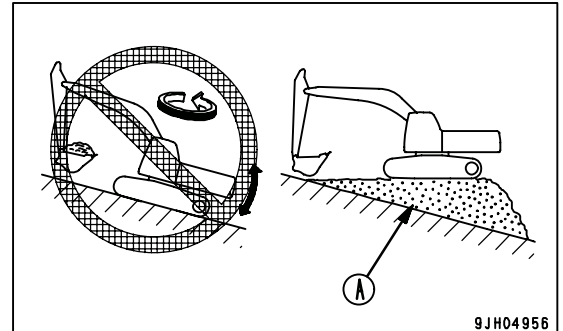
- Always travel straight up or down a slope. Traveling at an angle or across the slope is extremely dangerous.
- Do not turn on slopes or travel across slopes. Always go down to a flat place to change the position of the machine, then travel on to the slope again.



- Do not travel on a slope covered with the steel plates. Even with slight slopes there is a hazard that the machine may slip.
- Travel on grass or fallen leaves with low speed. Even with slight slopes there is a hazard that the machine may slip.
- If the engine stops when the machine is traveling on a slope, move the control levers immediately to the neutral position and start the engine again.

## OPERATIONS ON SLOPES

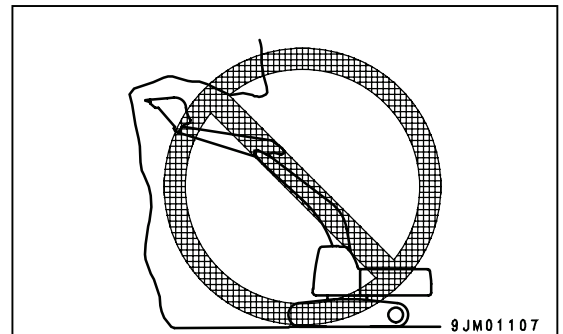
- When working on slopes, there is a hazard that the machine may lose its balance and turn over when the swing or work equipment are operated. This may lead to serious injury or property damage, so always provide a stable place when carrying out these operations, and operate carefully.
- Do not swing the work equipment from the uphill side to the downhill side when the bucket is loaded. This operation is dangerous, and may cause the machine to tip over.
- If the machine has to be used on a slope, pile the soil to make a platform (A) that will keep the machine as horizontal as possible.
- Do not work on a slope covered with the steel plates. Even with slight slopes there is a hazard that the machine may slip.



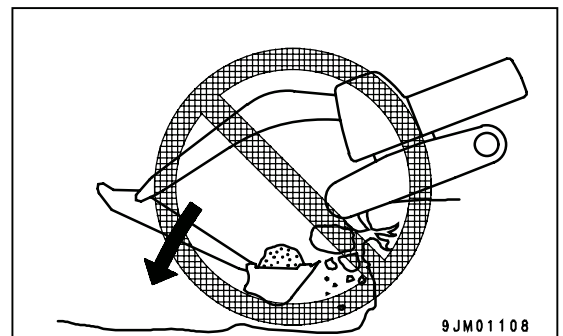
9JH04956

## PROHIBITED OPERATIONS

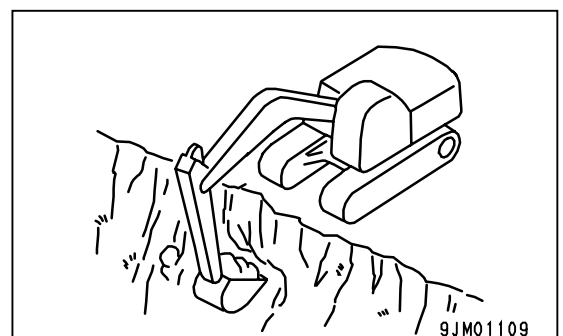
- Never dig the work face under an overhang. There is a hazard that rocks may fall or that the overhang may collapse and fall on top of the machine.
- Do not excavate too deeply under the front of the machine. The ground under the machine may collapse and cause the machine to fall.
- To make it easier to escape if there is any problem, set the tracks at right angles to the road shoulder or cliff with the sprocket at the rear when carrying out digging operations.



9JM01107



9JM01108



9JM01109